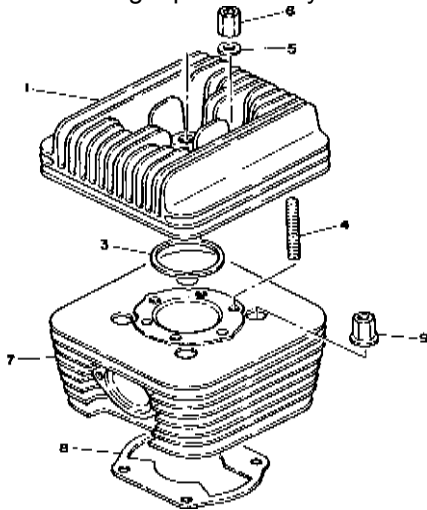


YAMAHA KT100SE ENGINE

To place an ORDER

1-513-539-9900

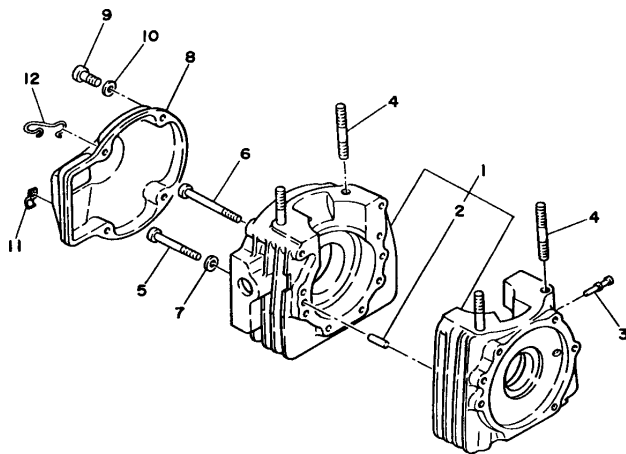
Designed specifically for professional-quality Kart racing. The KT100S engine has a strong background in successful motorcycle road racing. Large aluminum fins dissipate heat from the cylinder and cylinder head to provide maximum output for the length of the race. The cylinder head uses Yamaha's dome-and-squish design for highly efficient combustion. High rpm reliability is assisted by the Transistor Controlled Ignition (T.C.I.).



CYLINDER

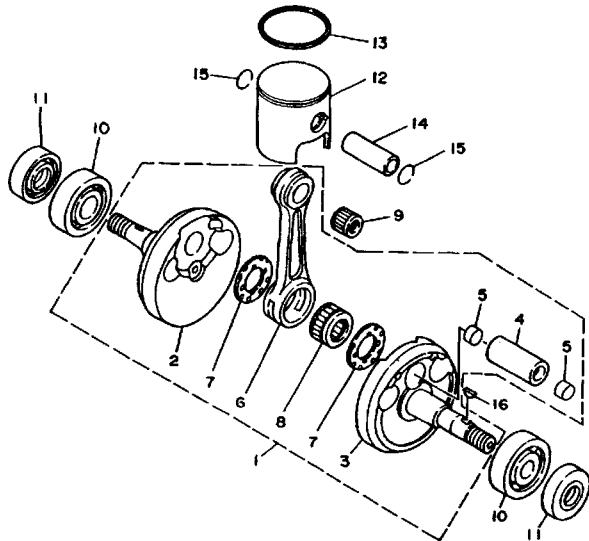
Ref No.	Part No.	Description	Qty Req.	Racer Net
1	787-11111-04	Head, cylinder	1	\$ 200.43
3	789-11181-00	Gasket, cylinder head	1	5.26
4	95617-08640	Cylinder head stud	6	2.25
5	92907-08600	Cylinder head washer	6	.46
6	90179-08N15	Cylinder head nut	6	4.20
7	787-11311-02	Cylinder	1	338.70
8	YCBG.15	Gasket, cylinder	1	.95
9	90179-08N15	Cylinder nut	4	4.20
	7YA-11161-00	Head Rubber	2	8.95
	7YA-11162-00	Cylinder Rubber	4	5.95

CRANKCASE



Ref No.	Part No.	Description	Qty Req.	Racer Net
2	93606-20044	Pin, dowel	2	\$.54
3	7YA-13552-00	Nozzle	1	1.98
4	95617-08645	Crankcase stud	6	2.44
5	91317-06045	Bolt, hexagon w/socket head	6	1.23
6	91317-06060	Bolt, hexagon w/socket head	2	1.23
8	7F6-15411-01-35	Crankcase cover	1	22.81
9	91317-06012	Bolt, hexagon w/socket head	4	.43
10	92907-06600	Plate washer	3	.46
11	90462-08042	Clamp	1	4.95
12	90468-20074	Clip	1	4.78

CRANK SHAFT



Ref No.	Part No.	Description	Qty Req.	Racer Net
1	7YB-11400-10	Crankshaft assembly	1	\$ 266.74
2	7YA-11412-10	Crank half, ignition	1	112.62
3	7YB-11422-10	Crank half, drive	1	141.88
4	787-11681-00	Crank pin	1	15.95
5	787-15385-00	Crank pin plug	2	6.95
6	7F6-11651-02	Connecting rod	1	51.54
7	90209-20159	Washer	1	3.40
8	93310-320-T3	Rod bearing, big end	1	26.95
9	93310-214T1	Rod bearing, small end	1	18.95
10	MB6304	Main bearing C4	2	10.95
11	93102-20N03	Crank case oil seal	1	8.37
12	(See Yamaha Piston Section)		1	
13	(See Yamaha Ring Section)		1	
14	131-11633-00	Piston wrist pin	1	5.82
15	90468-12N00	Piston cir clip	2	1.90
16	H3093	Key, woodruff	1	2.38

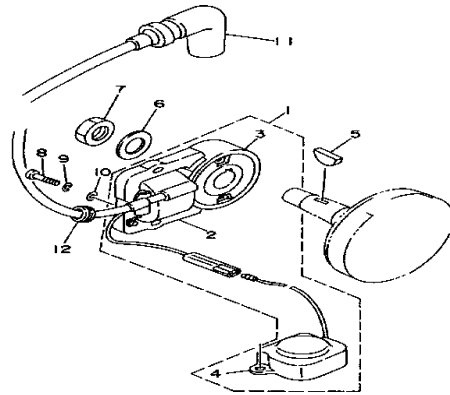
YAMAHA TAPERED SHAFT ENGINE PARTS

To place an ORDER

1-513-539-9900

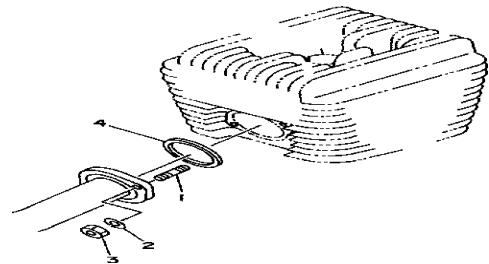
ELECTRICAL

Ref No.	Part No.	Description	Qty Req.	Racer Net
2	7F6-85510-00	Stator assembly	1	\$ 152.16
3	7F6-85551-01	Rotor assy.	1	90.69
4	7F6-85540-01	C.D.I. unit assembly	1	132.76
5	H309300	Woodruff Key	1	2.38
6	90201-13202	Plate Washer	1	2.01
7	90179-12N01	Nut	1	4.11
8	91317-05020	Bolt	2	.61
9	92907-05100	Washer	2	.46
10	92907-05200	Washer	2	.46
11	8DG-82370	Plug Cap Assy.	1	12.91
12	90480-14198	Grommet	1	2.95



EXHAUST

Ref No.	Part No.	Description	Qty Req.	Racer Net
1	95617-08325	Stud Bolt	2	\$ 2.82
2	92907-08100	Washer	2	.40
3	99780-08600	Nut	2	.70
4	8A7-14613-09	Exhaust Gasket	1	8.95



FACTORY YAMAHA PISTONS

Part No.	Description	Racer Net
787-11631-03-99	Piston, 51.99mm	\$ 41.20
787-11631-13-00	Piston, 52.00mm	41.20
787-11631-13-05	Piston, 52.05mm	41.20
787-11631-13-10	Piston, 52.10mm	41.20
787-11631-13-15	Piston, 52.15mm	41.20
787-11631-13-20	Piston, 52.20mm	41.20
787-11635-13-00	Piston, 52.25mm	41.20
787-11635-13-30	Piston, 52.30mm	41.20
787-11635-13-35	Piston, 52.35mm	41.20
787-11635-13-40	Piston, 52.40mm	41.20
787-11635-13-45	Piston, 52.45mm	49.95
787-11636-13-00	Piston, 52.50mm	41.20
787-11636-13-55	Piston, 52.55mm	41.20
787-11636-13-60	Piston, 52.60mm	41.20
787-11636-13-65	Piston, 52.65mm	41.20
787-11636-13-70	Piston, 52.70mm	41.20
787-11637-13-00	Piston, 52.75mm	47.55
KSI 52.80	Piston, 52.80mm	44.95
KSI 52.85	Piston, 52.85mm	44.95

BLUEPRINTED 2 CYCLE ENGINES

The Yamaha Engine is Blue Printed to WKA specifications and comes with Carburetor, Flex T and Air Filter Adaptor.

Specify Class when ordering.



**ENGINE REBUILDING
ALSO AVAILABLE!**

Part No.	Description	Racer Net
YAMAHABP	Appco Blueprinted Yamaha	\$ 1295.00

YAMAHA GOLD RINGS (RINGS ONLY)

Part No.	Description	Racer Net
YGR52.05	52.05	\$ 24.95
YGR52.1	52.1	24.95
YGR52.2	52.2	24.95
YGR52.3	52.3	24.95
YGR52.4	52.4	24.95

Part No.	Description	Racer Net
YGR52.5	52.5	24.95
YGR52.6	52.6	24.95
YGR52.7	52.7	24.95
YGR52.8	52.8	24.95
YGR52.9	52.9	24.95

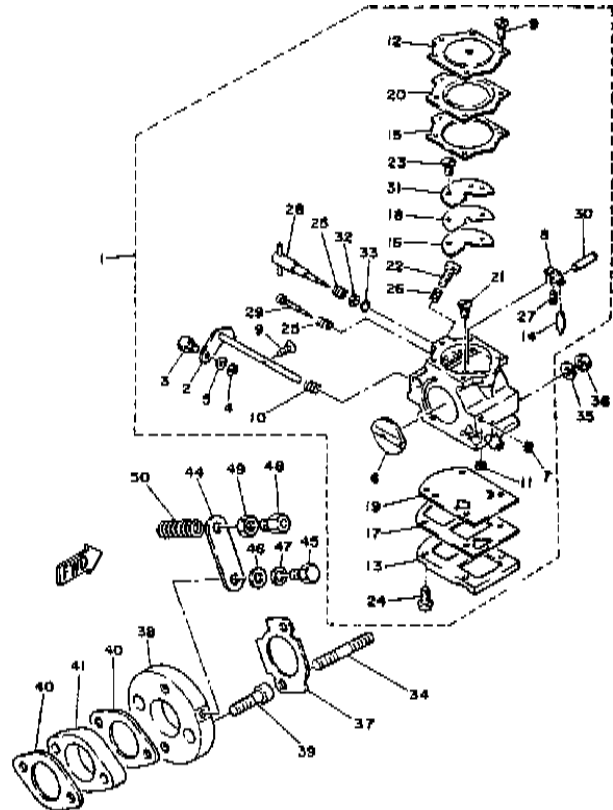
PRICES SUBJECT TO CHANGE WITHOUT NOTICE

YAMAHA TAPERED SHAFT ENGINE PARTS

To place an ORDER
1-513-539-9900

CARBURETOR

Ref No.	Part No.	Description	Qty Req.	Racer Net
1	WB3A	Carb assembly	1	\$ 78.95
2	738-14577-00C	Throttle shaft	1	2.50
3	738-14568-00C	Swivel & clip	1	1.40
4		(See Ref. #3)	1	
5		(See Ref. #3)	1	
6	738-14546-00C	Throttle valve, butterfly	1	.80
8	738-14547-00C	Inlet lever, metering	1	.60
9	738-14567-00C	Screw	4	.40
10	738-14555-00C	Throttle return spring	1	.50
11	738-14569-00C	Throttle screen	1	.55
12	738-14517-00C	Metering cover	1	1.95
13	787-14518-00C	Pump cover	1	5.00
14	7EN-14538-00C	Inlet needle valve	1	1.95
15	738-14536-00C	Metering dia. gasket	1	.45
16	738-14537-00C	Circuit plate gasket	1	.45
17	738-14553-00C	Pump dia. gasket	1	.45
18	738-14552-00C	Circuit plate dia.	1	1.75
19	738-14551-00C	Pump dia., black	1	1.70
20	738-14545-00C	Metering dia.	1	2.75
21	738-14592-00C	Inlet screw	1	.40
22	738-14523-00C	Throttle stop screw	1	.89
23	738-14529-00C	Circuit plate screw	2	.40
24	738-14528-00C	Pump screw	4	.40
25	738-14531-00C	Lo speed needle spring	1	.45
26	738-14533-00C	Throttle stop spring	1	.89
27	738-14556-00C	Inlet spring	1	.60
28	787-14521-00C	Hi speed adj. needle assy.	1	2.50
29	738-14522-00C	Lo speed adj. needle	1	2.00
30	738-14548-00C	Inlet pin	1	.35
31	787-14527-00C	Circuit plate	1	2.95
32		(See Ref. #28)	1	
33		(See Ref. #28)	1	
34	90116-06N06C	Carb stud	2	2.44
35	92907-06600C	Carb washer	2	.46
36	95617-06100C	Carb loc nut	2	1.23
37	YCG	Carb flange gasket	1	1.00
38	787-13585-00C	Joint, alum.	1	33.95
39	91317-06030C	Bolt, hexagon socket head	2	.61
40	YJG	Joint gasket	2	1.00
41	787-13586-00C	Carb joint, red	1	9.95
42	YPT	Pulse tube, per foot		1.75
44	787-14291-00C	Throttle bracket	1	3.64
45	97017-06014	Bolt, hexagon	1	.15
46	92990-06600C	Washer plate	1	.20
47	92995-06100C	Washer spring	1	.76
48	90123-06002C	Bolt, wire adj.	1	3.54
49	95317-06700	Nut, hexagon	1	.46
50	90504-09027C	Spring, compression	1	2.95



CARB REPAIR KITS

D10-WB	Gasket & dia. kit	3.95
K10-WB	Complete rebuild kit	6.95

YAMAHA / 2 CYCLE ENGINE PARTS

To place an ORDER

1-513-539-9900



YAMAHA REPLACEMENT PLUG WIRE

Part No.	Description	Racer Net
YSPW	Yamaha Replacement Plug Wire	\$ 23.95



YAMAHA HIGH SPEED TRIGGER KIT

Part No.	Description	Racer Net
YHSTK	Yamaha Hi Speed Trigger Kit	\$ 69.95

RLV EXHAUST SPRINGS

Part No.	Description	Racer Net
RLV0560	Exhaust Spring 1 "	\$ 2.50
RLV0564	Exhaust Spring 1 3/8 "	2.50
RLV0570	Exhaust Spring 1 3/4 "	2.50
RLV0572	Exhaust Spring 2 1/2 "	2.50
RLV0554	Exhaust Spring 3 1/2 "	2.50

YAMAHA ALUMINUM MAGNETO NUT

Part No.	Description	Racer Net
FK90179	Yamaha Magneto Nut	\$ 3.95

WB55 CARB

Part No.	Description	Racer Net
AP2002	WB55 Carburetor	39.95
AP2030	Fuel Line Reducer 1/8" to 1/4"	1.00
AP2040	Fuel and Pulse Tubing (Tygothane) 1/8" ID x 1/4" OD	2.50 per ft.
AP2050	Carb Flange Gasket	.34
APD10-WAT	Gasket & Dia. kit	3.95
APK10-WAT	Rebuild Carb kit	5.95
AP21-1382	Fuel Pump Cover	5.00
AP30-816	Throttle Shaft	2.50
AP34-80	Butterfly	1.15
AP82-75	Inlet Needle	1.95
AP95-526	Metering Dia.	2.95
AP95-56	Fuel Pump Dia.	1.70
AP98-189	Inlet Spring	.45
AP98-404	Low Speed Spring	.50
AP98-405	High Speed Spring	.50
AP102-176	Low Speed Adj. Needle	1.95
AP166-48	Inlet Lever	.60

EXHAUST SPRINGS

Part No.	Description	Racer Net
KMES2	Spring- 2" long	\$.75
KMES3	Spring- 3" long	.80
KMES4	Spring- 4" long	.90

EXHAUST SPRING TOOLS



Pliers slip and end cutters usually damage the spring. Exhaust springs are the problem. With its sturdy spring hook and padded T-handle, the GEM spring tool is the answer.

Part No.	Description	Racer Net
G4618	Exhaust Spring Tool	\$ 7.17

YAMAHA/ 2 CYCLE ENGINE PARTS

To place an ORDER
1-513-539-9900

YAMAHA FULCRUM ARM GAUGE

This handy little one-piece gauge allows you to adjust your carburetor for maximum performance. You can set the fulcrum arm at .035, .045, and .055 with or without the gasket!

Part No.	Description	Racer Net
G4711	Fulcrum arm gauge	\$ 13.40

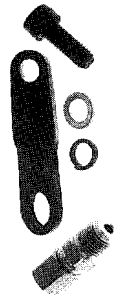
2 CYCLE HEAD BOLT WASHERS

Chrome moly head bolt washers ...Made from 1/8" thick 4130 then precision ground for flatness...I.D. .315 O.D. .657. Fits Yamaha and all European 2 cycles. A must for the discriminating engine builder.

Part No.	Description	Racer Net
H754000	6 pack of washers	\$ 7.75

YAMAHA CARB CABLE HOUSING BRACKET

To compliment our popular G1358 Cable Swivel for Yamaha, we now offer this new carb cable housing anchor. Our assembly simply replaces the original Yamaha part but has a reliable brass compression fitting for positive housing anchor.



Part No.	Description	Racer Net
G1360	Cable housing bracket	\$ 10.25

YAMAHA CARB CABLE ANCHOR

Replaces stock Yamaha carb cable anchor. Allows use of standard types of cables.



Part No.	Description	Racer Net
G1358	Carb cable anchor	\$ 7.23

YAMAHA ENGINE AFTERMARKET PARTS

Part No.	Description	Racer Net
YCCC.05	Crankcase gasket-.005	\$.60
YCCC.15	Crankcase gasket-.015	.92
YCBG.05	Cylinder base gasket-.005	.75
YCBG.10	Cylinder base gasket-.010	.95
YCBG.15	Cylinder base gasket-.015	.95
YHG05	Cylinder head gasket-.005	2.50
YHG10	Cylinder head gasket-.010	2.50
YHG15	Cylinder head gasket-.015	3.50
YHG20	Cylinder head gasket-.020	3.50
YHG25	Cylinder head gasket-.025	3.50
789-11181-00	Cylinder head gasket-.032	4.75
YHG40	Cylinder head gasket-.040	3.50
YCG	Carb flange gasket	1.00
YJG	Joint gasket	1.00
8A7-14613-09	Exhaust gasket	5.26
DID-WB	Gasket & diaphragm kit	3.95
K10-WB	Complete carb rebuild kit	6.95
YPT	Pulse tubing 3/16" ID x 5/16" OD	1.75 per ft.
YSTF4	Yamaha teflon seal	6.95
YRCS	Spiral lock cir clip	1.00
YLWP	Yamaha light weight wrist pin (WKA LEGAL)	10.95
YMB6304	Main bearing FAG C4	11.95
YMB1304	Self aligning main bearing	33.95
YMB6205	Main Bearing C4	11.95
YMB1205	Self aligning main bearing	33.95

RLV COMPATIBLE TCI

TCI offers the same curve as the OEM part but for considerably less cost.

Part No.	Description	Racer Net
RLV2014	Yamaha compatible TCI	\$ 69.95

YAMAHA TCI HOLD DOWN

Part No.	Description	Racer Net
KM204	TCI hold down	\$ 9.95

FLEXIBLE JET

Low speed Jet for Yamaha (WB3A)



Part No.	Description	Racer Net
RLV0006	Flexible Jet	\$ 7.50