

TOOLS

To place an ORDER

1-513-539-9900

DUROMETER Longacre RACING TIRE HARDNESS TESTER

Tire hardness changes as tires get older and even varies between new tires. Now you can keep track of exactly where your tires are. Track your tires with precision.

- * Reads from 0-100 points.
- * Comes with padded pouch



Part No.	Description	Racer Net
LA50540	Durometer with pouch	\$ 70.95

CASTOR/CAMBER GAUGES Longacre

- * Reads Camber +/-8 degree
- * Specifically built for Karts with thread on adaptor



Part No.	Description	Racer Net
LA78250	Castor & Camber Gauge	\$ 105.95
LA78438	5/8" Castor & Camber Gauge Adaptor	47.95

MINI IR PYROMETER Longacre

- * Non contact, instant response
- * Maximum temperature: 500 degree



Part No.	Description	Racer Net
LA50641	Standard IR Pyrometer	\$ 79.95

NO LONGER AVAILABLE

AIR DENSITY GAUGE Longacre GET PRECISE CARB JETTING EVERY RACE!



As air density changes with weather conditions, you should rejet your carb to keep top horsepower and sharp response. Comes complete with case and jetting chart.

Part No.	Description	Racer Net
LA50888	Air density gauge	\$ 125.95

Visit our website
www.appcokarting.com

Dealer Program available.
Most current up to date pricing

STANDARD TIRE GAUGES

- * Air pressure release button
- * Internal gauge damper for more accurate readings and longer life.
- * Ultra flexible 14" hose, 2" dial face

Longacre



Part No.	Description	Racer Net
LA50420	0-30 by 1/2 lb.	\$ 35.95
LA50450	0-15 by 1/2 lb.	35.95

LIQUID FILLED TIRE GAUGES

- * 2 1/2" Deluxe gauge with protective bumper
- * Holds pressure reading until released
- * Glow in the dark dial face
- * 17" hose with swivel chuck



Part No.	Description	Racer Net
LA50453	0-15 psi. Liquid filled	\$ 47.95
LA50423	0-30 psi. Liquid filled	47.95

NO LONGER AVAILABLE

TOOLS

To place an ORDER
1-513-539-9900

BRIGGS VALVE SEATING TOOL

* For hand-grinding unslotted valves



Part No.	Description	Racer Net
BSHUST	Valve Seating Tool	\$ 5.95

4-CYCLE CYLINDER TORQUE PLATE

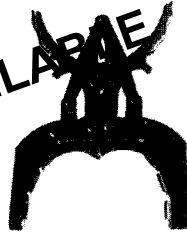
FOR USE ON 5 HP BRIGGS

- * Reduces cylinder distortion
- * Better compression and ring seal

Part No.	Description	Racer Net
M-856	Torque Plate	\$ 26.05
M-856-A	Torque Plate for Animal	26.95

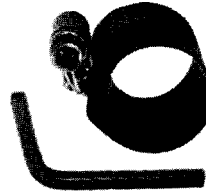
BRIGGS PISTON RING EXPANDER

- *Range: 2" to 4"
- *Remove or install piston rings without danger of breaking or distortion
- *No adjustments to make



Part No.	Description	Racer Net
BS19340	Ring Expander	\$ 11.09

BRIGGS PISTON RING COMPRESSOR

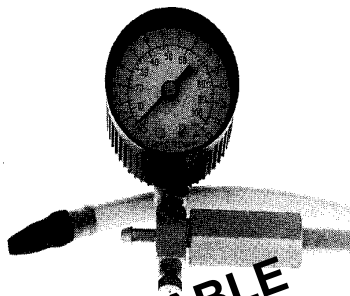


- *Approved by engine manufacturers
- *Expandable from 1 3/4" to 3 1/2"
- *2" depth to take all rings at once

Part No.	Description	Racer Net
BS19070	Ring Compressor	\$ 8.52

"TRIC-KIT" PRESSURE CHECKER

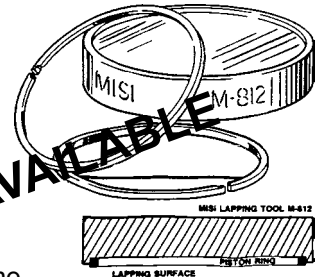
With the special "Tric-Kit" provided, our pressure checker is great for checking your carb's needle "pop off" pressure. Also may be used as a leak detector.



Part No.	Description	Racer Net
G4464	Complete "Tric-Kit"	\$ 56.69

MiSi RING LAPPING TOOLS PROPER RING LAPPING

When installing new piston rings the MiSi lapping tool allows you to hand fit the ring to piston groove and eliminate factory "high spots". Proper ring seat helps stop "blow-by", carbon build-up and ring sticking.



- *Greatly reduces break-in time
- *Increases piston seal
- *Reduces carbon build-up

Part No.	Description	Racer Net
M812BS	Briggs & Stratton Ring Lapping Tool	\$ 13.45
M812-A	Animal Ring Lapping Tool	13.95

TOOLS

To place an ORDER

1-513-539-9900

FLYWHEEL WRENCH

* Aids in removal of Briggs starter clutches

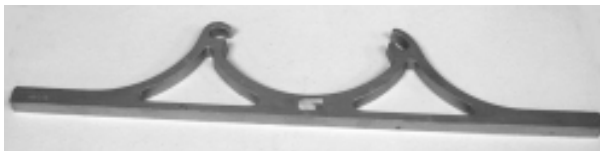


Part No.	Description	Racer Net
BSFW	Flywheel Wrench	\$ 10.95

NO LONGER AVAILABLE

FLYWHEEL HOLDER

* Holds flywheel for removal of Briggs starter clutch



Part No.	Description	Racer Net
BSFH	Flywheel Holder	\$ 24.95

BRIGGS VALVE SPRING COMPRESSOR

* Has adjustable jaws for removing and replacing valve springs



Part No.	Description	Racer Net
BS19063	Spring Compressor	\$ 17.08

BRIGGS VALVE SPRING COMPRESSOR

* Removes and installs valve springs using self-locking valve spring retainers

* Hook end aligns valve spring retainer

* Notched end compresses valve spring



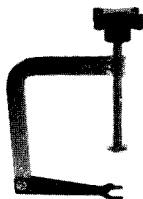
Part No.	Description	Racer Net
PLT2064	Spring Compressor	\$ 4.95

NO LONGER AVAILABLE

BRIGGS VALVE SPRING COMPRESSOR

*Aids in removable and replacement of valve locks

*Includes two jaws for different size springs



Part No.	Description	Racer Net
BSUSC	Spring Compressor	\$ 39.95

VALVE GRINDING COMPOUND



*2 oz. of course grade for grinding

*1 oz. of fine grade for finishing

Part No.	Description	Racer Net
BS94150	Grinding Compound	\$ 7.93

www.appcokarting.com

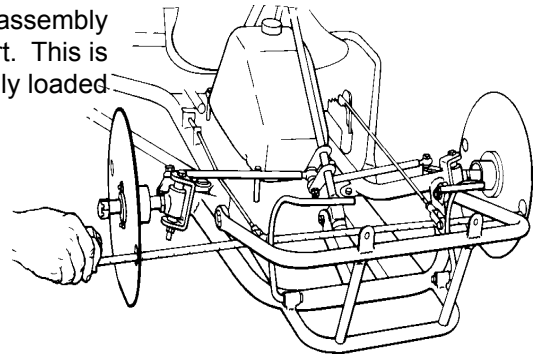
TOOLS

To place an ORDER
1-513-539-9900

STEEL WHEEL ALIGNMENT DISCS

Steel Wheel Alignment Discs allow precision alignment of racing kart chassis for less rolling friction and higher top speeds as well as improved acceleration and handling. The discs bolt on to the hub in place of the tire and rim assembly allowing you to set toe in and camber with the driver sitting in the kart. This is very important as the front end requires adjustments with the kart fully loaded and the chassis in compression.

- * Universal hole pattern fits American and Metric
- * Tape measure holes for easy alignment on front ends.
- * 3 disc set, heavy duty steel with black electro coat paint



Part No.	Description	Racer Net
APPA1	Alignment discs (fits American & Metric)	\$ 34.95

DEGREE WHEEL KITS

Complete Degree Wheel Kits for ignition, cams, etc. Heavy gauge aluminum 7" dia. wheel and all the adapters you'll need.



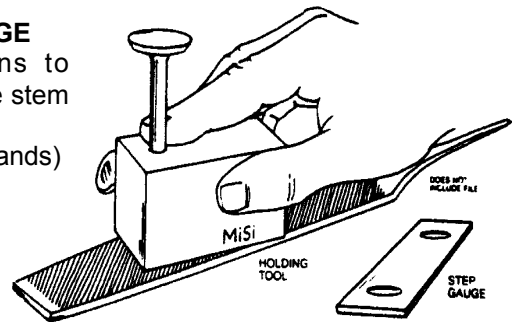
Part No.	Description	Racer Net
G4499	Briggs Degree Wheel Kit, complete kit	\$ 36.47
G4498	Double Sided Degree Wheel, only	21.03

VALVE GAUGING TOOLS

Can be used with other valves with 1/4" diameter stem. (.248) PRECISE valve end clearance with this "Easy to Use" Tool. HOLDING TOOL is heat treated to eliminate wear. Use right or left hand.

STEP GAUGE
 Four positions to measure valve stem
 .005 (1/2 thousands)
 .001
 .003
 .005

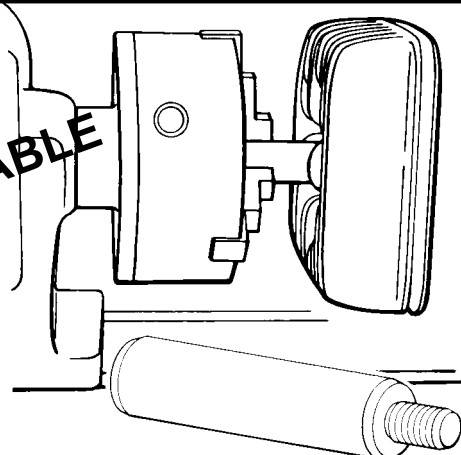
Part No.	Description	Racer Net
M829	Valve gauging tool	\$ 29.66



CYLINDER HEAD TOOL

(FITS STANDARD 14MM THREADED SPARK PLUGS)

The cylinder head lathe arbor allows you to easily machine the cylinder head combustion chamber or make modifications to adjust the compression ratio. Simply screw the tool into the cylinder head and mount the tool in the lathe chuck or collet.



Part No.	Description	Racer Net
M811	Cylinder Head Tool	\$ 17.95

PRICES SUBJECT TO CHANGE WITHOUT NOTICE

TOOLS

To place an ORDER

1-513-539-9900

BALL DRIVER



Works where other hex tools won't. Ball contour for off-axis entry and rotation.

Part No.	Description	Racer Net
G4519	Ball Driver, 5/32 - 6" long	\$ 4.95
G4629	Ball Driver, 3/16 - 8" long	6.95

BRIGGS CARB WRENCH



Part No.	Description	Racer Net
KM1082	Briggs Carb Wrench	\$ 9.95

BRIGGS CARB WRENCH



Part No.	Description	Racer Net
KMCW	3/16" hex head with handle	\$ 3.50

WHOLESALE ORDERS

**PLACE A \$500.00
PARTS ORDER AND
RECEIVE 10% OFF!!!
ONLY 5% OFF TIRES**

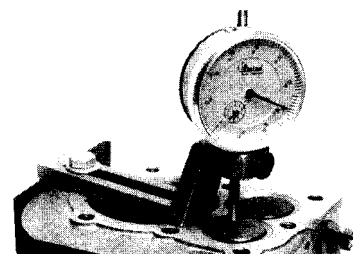
Excludes: Impact Helmets, Mychron, Rolling Kart Stands, Engines & Engine Kits and any special ordered items.

DIAL INDICATOR ADAPTER BRACKET & KIT FOR BRIGGS

Complete kit includes our top quality dial indicator, necessary extension and complete bracket assembly.

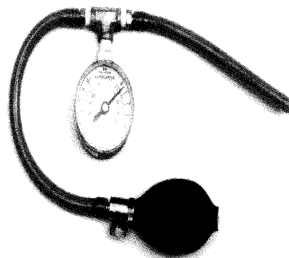
Part No.	Description	Racer Net
G4559	Adapter Assy. Only	\$ 20.09
G4560	Dial indicator & Bracket Assy.	59.07

Here's a bracket to adapt most popular dial indicators to your Briggs engine for checking valve lift, piston travel, etc.



BALL TYPE PRESSURE CHECKER

Used as carb or engine pressure checker.



Part No.	Description	Racer Net
G4466	Ball Pressure Checker	\$ 44.34

BRIGGS STARTER CLUTCH REMOVER

- * Removes BRIGGS starter clutch
- * Heat treated, heavy gauge steel



Part No.	Description	Racer Net
BS19244	Starter clutch remover	\$ 11.37

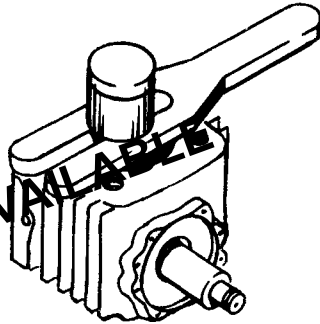
PRICES SUBJECT TO CHANGE WITHOUT NOTICE

TOOLS

To place an ORDER
1-513-539-9900

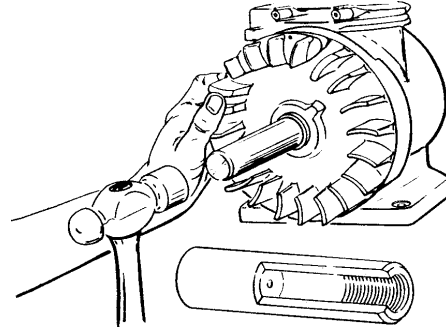
PISTON ALIGNMENT TOOL

This handy item from G.E.M. spans the top of your crankcase with one prong on each side of the rod. Rotating crank brings piston to rest on top surface of tool, putting piston into alignment for easy installation in cylinder.



Part No.	Description	Racer Net
G4580	Alignment tool	\$ 9.73

FLYWHEEL REMOVER

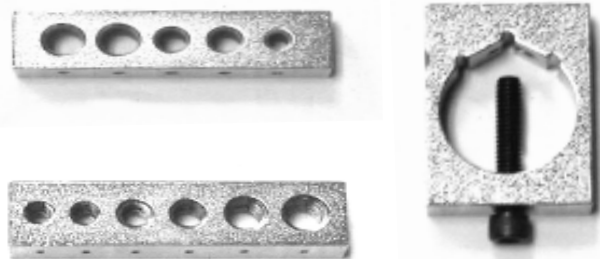


Part No.	Description	Racer Net
FK875	Flywheel Remover (American)	\$ 11.95

FOR BRIGGS AND STRATTON ENGINES

STANDARD, METRIC & NUT SAF-T-BLOK

Both the standard and metric Saf-t-blok are designed to take the headache and hassle out of drilling safety wire holes in bolts. You can drill a 5/64" hole through 1/4", 5/16" and 3/8" fine and course bolts with the standard while, the Metric will handle 6 x 1.0, 8 x 1.25, 10 x 1.25 and 10 x 1.5 bolts. Also Nut Saf-t-blok for drilling nuts for safety wire holes.



Part No.	Description	Racer Net
MTE5B	Standard Saf-T-Blok	\$ 20.95
MTE5B	Standard Saf-T-Blok	\$ 20.95
MTENB	Nut Saf-T-Blok	24.95

NO LONGER AVAILABLE

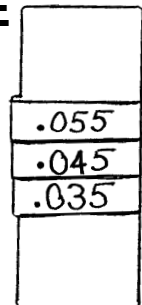
SAFETY WIRE & PLIERS



Part No.	Description	Racer Net
LA22599	Safety wire .032	\$ 19.95
LA22598	Safety wire pliers-9"	32.95

CARB FULCRUM ARM GAUGE

If you want to keep the carb on your piston port engine performing crisp and sharp, this height gauge from L.A.D. is the hot setup. Precision machined with separate settings .035 .045 .055.



Part No.	Description	Racer Net
G4711	Fulcrum arm gauge	\$ 13.40