

SPROCKET HUBS

To place an ORDER

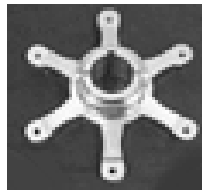
1-513-539-9900

LIGHTWEIGHT SPROCKET HUBS

Part No.	Description	Racer Net
KMAPH125	Sprocket Hub 1 1/4"	\$ 30.95
KMAPH1	Sprocket Hub 1"	40.95
KMAPH114	Sprocket Hub 1 1/4"	36.95
RLV1808	Sprocket Hub 40 mm	57.95
RLV1809	Sprocket Hub 50 mm	57.95



RLV1812



KMAPH125

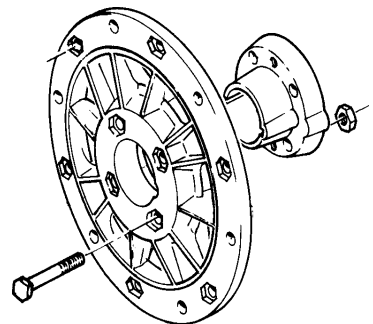


KMAPH1 & KMAPH114

MARK VI VARI-HUB

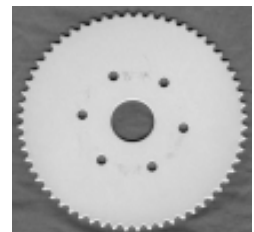
With a MACHINED face, the Mark VI is the perfect hub to lock sprockets to a 1" axle of shaft. Integral hex pockets hold bolt heads for quick, one-wrench sprocket changing. 5.25" Bolt Circle, 5.87" OD. Mark VI VARI-HUB accepts all standard 4-9/16" ID sprockets.

Part No.	Description	Racer Net
AZ1872	Complete Hub, 1"	\$25.95



FUN KART STEEL SPROCKETS

Part No.	Description	Racer Net
AZ2158-72	72T, 4-9 1/16" ID-6 hole on 5 1/4" circle #35 chain	\$13.95
AZ2166-54	54T, 4-9 1/16" ID-6 hole on 5 1/4" circle #40-41 chain	29.95
AZ2166-60	60T, 4-9 1/16" ID-6 hole on 5 1/4" circle #40-41 chain	33.95
AZ2167-54	54T, 2" ID, 4-hole on 2 7/8" circle #40-41 chain	24.95
AZ2168-54	54T, 1 1/2"-4 hole on 4" circle #40-41 chain	24.95
KM1073	60T, 1-3/8" hole with 2 13/16" bolt pattern- # 35 chain	11.95
KM1074	72T, 1-3/8" hole with 2 13/16" bolt pattern- # 35 chain	14.95



KM1073/KM1074

AXLE SPROCKETS

To place an ORDER

1-513-539-9900

AXLE SPROCKETS #35 & #219

The center hole clears the industry standard 4 9/16" hub register. A wide range of sizes are available for 3/8" pitch 335 chain or the .306" pitch #219 chain. They come split for ready mounting inside the frame.

RLV#35 CHAIN

Split Style

Part No.	Teeth	Racer Net
RLV0353	53	\$ 11.95
RLV0354	54	11.95
RLV0355	55	11.95
RLV0356	56	11.95
RLV0357	57	11.95
RLV0358	58	11.95
RLV0359	59	11.95
RLV0360	60	11.95
RLV0361	61	11.95
RLV0362	62	11.95
RLV0363	63	11.95
RLV0364	64	11.95
RLV0365	65	11.95
RLV0366	66	11.95
RLV0367	67	11.95
RLV0368	68	11.95
RLV0369	69	11.95
RLV0370	70	11.95
RLV0371	71	11.95
RLV0372	72	11.95
RLV0373	73	11.95
RLV0374	74	11.95
RLV0375	75	11.95
RLV0376	76	11.95

TOMAR #219 CHAIN

One Piece Style

Part No.	Teeth	Racer Net
T0066	66	\$ 16.95
T0067	67	16.95
T0068	68	16.95
T0069	69	16.95
T0070	70	16.95
T0071	71	16.95
T0072	72	16.95
T0073	73	16.95
T0074	74	16.95
T0075	75	16.95
T0076	76	16.95
T0077	77	16.95
T0078	78	16.95
T0079	79	16.95
T0080	80	16.95
T0081	81	18.95
T0082	82	18.95
T0083	83	18.95
T0084	84	18.95
T0085	85	18.95
T0086	86	18.95
T0087	87	18.95
T0095	95	22.95
T0096	96	22.95
T0097	97	22.95

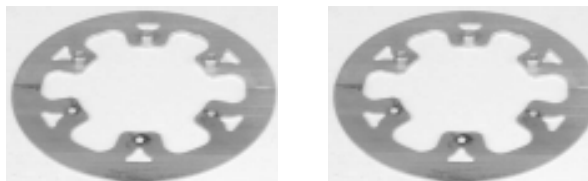
G-MAN COMBINATION SPROCKET GUARD & CHAIN GUIDE (Plastic)



Fits over both sides of sprocket! Fits up to 70 tooth sprockets! Complete set!

Part No.	Description	Racer Net
GMSG-F	Sprocket Guard-Fine threads	\$ 12.95
GMSG-C	Sprocket Guard-Course threads	12.95

ALUMINUM SPROCKET GUARDS



Fits over both sides of sprocket! Fits up to 70 tooth sprockets! Complete set!

Part No.	Description	Racer Net
APSG-F	Sprocket Guard-Fine threads	\$ 19.95
APSG-C	Sprocket Guard-Course threads	19.95

PRICES SUBJECT TO CHANGE WITHOUT NOTICE