

# BRIGGS & STRATTON RACING ENGINES

To place an ORDER

**1-513-539-9900**

## ANIMAL ENGINE Briggs & Stratton

**FEATURES:**

- \* "Billet" Flywheel (machined from a plate of aluminum)
- \* "Racing Resistant" blower housing

The Animal Engine comes equipped with a new and improved connecting rod and also a new and improved robust crankshaft.



*Engines have absolutely NO WARRANTY!!!*

Part No.	Description	Racer Net
<b>BSANIMAL</b>	Animal Engine	<b>\$ 459.95</b>
<b>BSANL0206</b>	Animal Engine L0206	<b>459.95</b>
<b>BSANJR0206</b>	Animal Engine JRL0206	<b>499.95</b>

## WORLD FORMULA ENGINE Briggs & Stratton

**FEATURES:**

- \* Displacement: 12.48 Cu. in--200cc
- \* Slant, 30 degree Overhead Valve Design
- \* Dual Ball Bearing Cylinder
- \* Dura-Bore Cast Iron Cylinder Sleeve
- \* Bore: 2.6875/2.6885 in.
- \* Stroke: 2.2 in.
- \* Compression Ratio: 9.7 to 1
- \* Factory Timing: 28 degrees BTDC
- \* Electric Start
- \* Premier Clutch



*Engines have absolutely NO WARRANTY!!!*

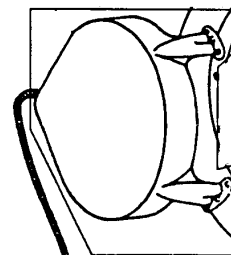
Part No.	Description	Racer Net
<b>BSWORLDFORMULA</b>	World Formula Engine	<b>\$ 1059.95</b>

## REWIND STARTER & ACCESSORIES

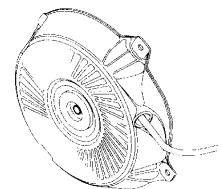
Ref No.	Part No.	Description	Racer Net
55A	<b>BS165</b>	Rewind starter assembly	<b>\$ 51.16</b>
55B	<b>BS576</b>	Rewind starter assembly	<b>29.80</b>

**NOTE:** To install recoil starter on RAPTOR engines use part # BS171 clutch assy. and part # BS165 recoil assy.

55A



55B



## BRIGGS & STRATTON SPECIAL TOOLS

Part No.	Description	Racer Net.
<b>BS19070</b>	Ring compressor	<b>\$ 11.35</b>
<b>BS93963</b>	Valve guide lubricant	<b>11.47</b>
<b>BS94150</b>	Valve lapping compound	<b>16.26</b>

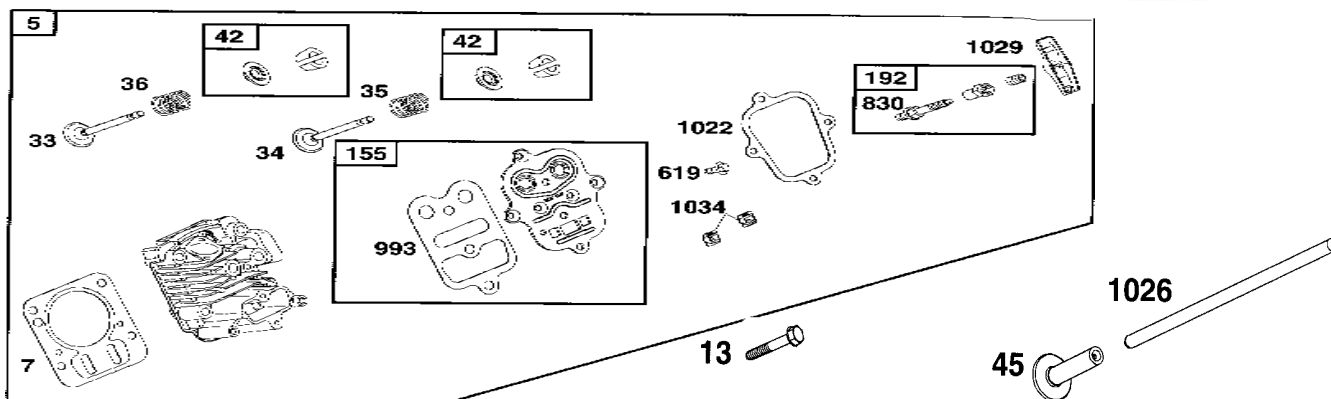
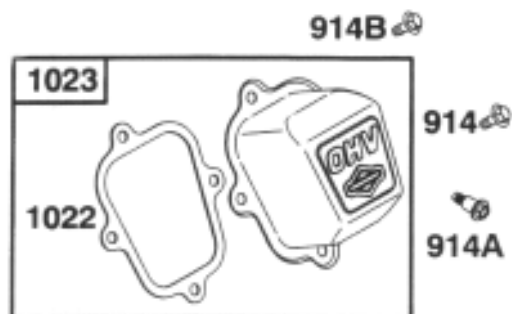
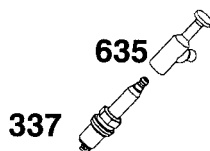
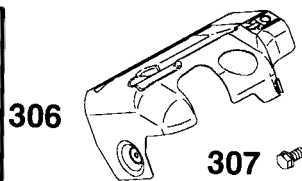
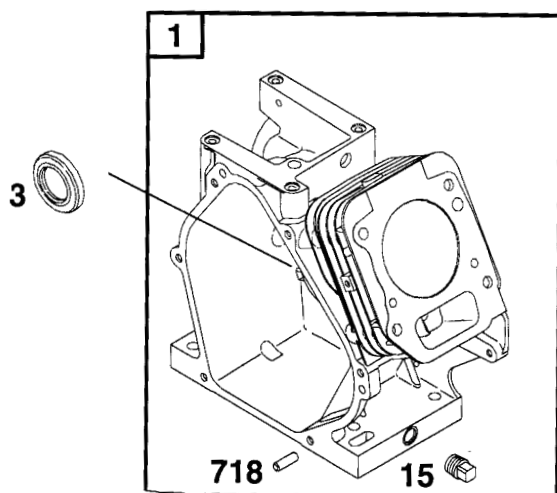
Part No.	Description	Racer Net.
<b>BS19244</b>	Starter clutch remover	<b>\$ 15.18</b>

PRICES SUBJECT TO CHANGE WITHOUT NOTICE

# BRIGGS & STRATTON ANIMAL ENGINE

To place an ORDER

**1-513-539-9900**



Ref No.	Part No.	Description	Racer Net
A	<b>BSANIMAL</b>	Complete Animal Engine	\$ 459.95
1	<b>BS687</b>	Cylinder Assembly	121.48
3	<b>BS071</b>	Seal-oil -Flywheel seal	3.08
5	<b>BS635</b>	Head-Cylinder	117.46
7	<b>BS621</b>	Gasket-Cylinder Head	4.54
13	<b>BS540</b>	Screw (Cylinder Head)	2.18
15	<b>BS079</b>	Plug-Oil Drain	1.82
33	<b>BS552</b>	Valve- Exhaust	14.20
34	<b>BS551</b>	Valve-Intake	7.69
35	<b>BS553</b>	Spring-Valve (Intake)	3.78
36	<b>BS553</b>	Spring-Valve (Exhaust)	3.78
42	<b>BS550</b>	Keeper-Valve	4.56
45	<b>BS307</b>	Tappet-Valve	3.86
155	<b>BS547</b>	Plate-Cylinder Head	6.43
192	<b>BS548</b>	Adjuster-Rocker Arm	3.80

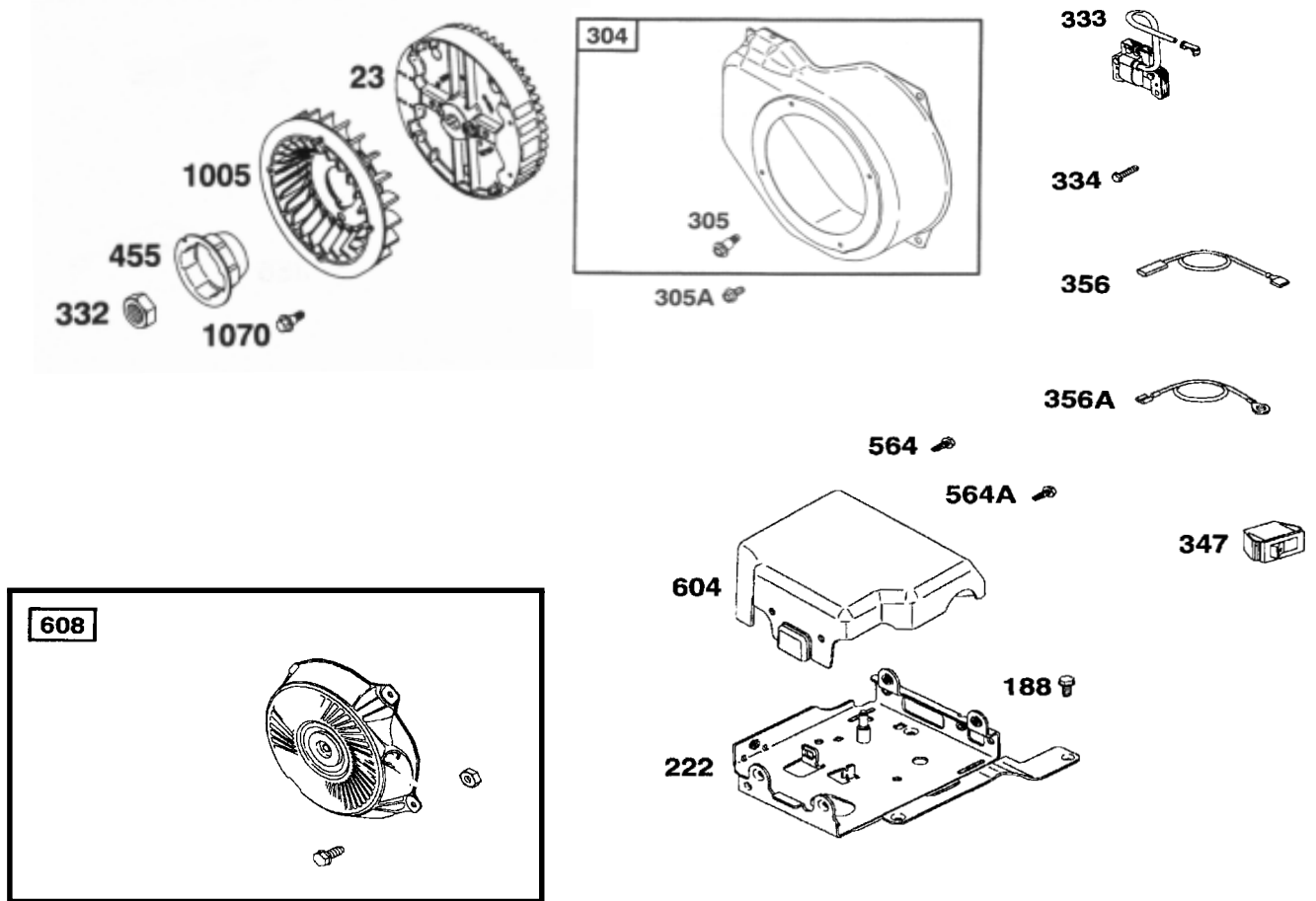
Ref No.	Part No.	Description	Racer Net
306	<b>BS519</b>	Shield-Cylinder	\$ 6.12
337		See Spark Plug Section	
635	<b>BS162</b>	Boot-Spark Plug	3.02
718	<b>BS579</b>	Pin-Locating	2.12
830	<b>BS549</b>	Stud (Rocker Arm)	3.20
914	<b>BS535</b>	Screw (Rocker Cover) Bottom 7/16" long	1.68
914A	<b>BS542</b>	Screw (Rocker Cover) Top 3/8" long	1.68
914B	<b>BS614</b>	Screw (Rocker Cover) Center	1.68
993	<b>BS554</b>	Gasket-Cylinder Head Plate	2.66
1022	<b>BS523</b>	Gasket-Rocker Cover	3.54
1026	<b>BS531</b>	Rod-Push	3.24
1029	<b>BS546</b>	Arm-Rocker	3.38
1034	<b>BS555</b>	Guide-Push Rod	4.09

PRICES SUBJECT TO CHANGE WITHOUT NOTICE

# BRIGGS & STRATTON ANIMAL ENGINE

To place an ORDER

**1-513-539-9900**



Ref No.	Part No.	Description	Racer Net
23	BS625	Flywheel Billet Aluminum -2004 WKA Legal Fan and Bolts included.	\$ 151.47
1070	BS699201	Screw (Flywheel Fan) 2 required	2.26
222	BS618	Bracket-Control	20.35
304	BS623	Housing Blower	38.86
305	BS629	Screw (Blower Housing)	2.52
305A	BS557042	Screw (Blower Housing)	2.86
332	BS038	Nut (Flywheel)	2.82
	T480700	Metric Starter Nut	12.94
333	BS530	Armature-Magneto	25.71
334	BS699477	Screw (Magneto Armature)	2.26
347	BS564	Switch-Rocker	9.03
356	BS569	Wire-Stop	7.75

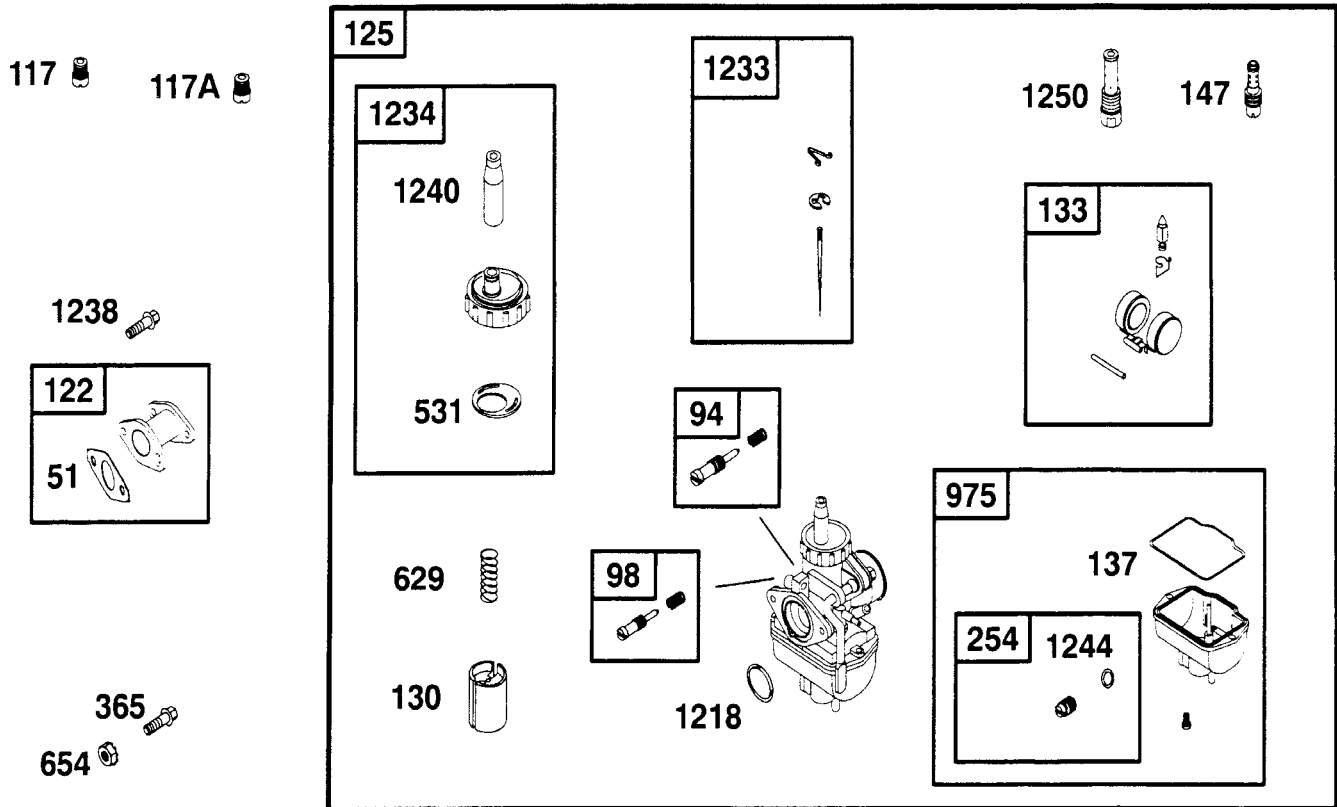
Ref No.	Part No.	Description	Racer Net
356A	BS568	Wire-Stop	\$ 2.66
455	BS518	Cup-Flywheel	3.93
564A	BS575	Screw (Control Cover)	1.98
604	BS613	Cover-Control	11.22
608	BS576	Starter-Rewind	29.80

PRICES SUBJECT TO CHANGE WITHOUT NOTICE

# BRIGGS & STRATTON ANIMAL ENGINE

To place an ORDER

**1-513-539-9900**



Ref No.	Part No.	Description	Racer Net
51	BS609	Gasket-Intake	\$ 2.76
94	BS585	Kit-Idle Mixture	4.02
98	BS586	Kit-Idle Speed	3.82
117	BS536	Jet-Main (Gasoline)	44.78
		Contains 7 different sizes	
117A	BS537	Jet-Main (Alcohol)	52.89
		Contains 8 different sizes	
122	BS545	Spacer-Carburetor (Intake)	15.76
125	BS658	Carburetor	126.69
130	BS590	Valve-Throttle	8.58
133	BS591	Float-Carburetor	10.62
137	BS592	Gasket-Float Bowl	2.60
147	BS594	Jet-pilot	11.89
254	BS607	Drain-Carburetor Bowl	4.08
365	BS544	Screw	2.52
		(Carburetor)	
		(Carburetor to Spacer)	

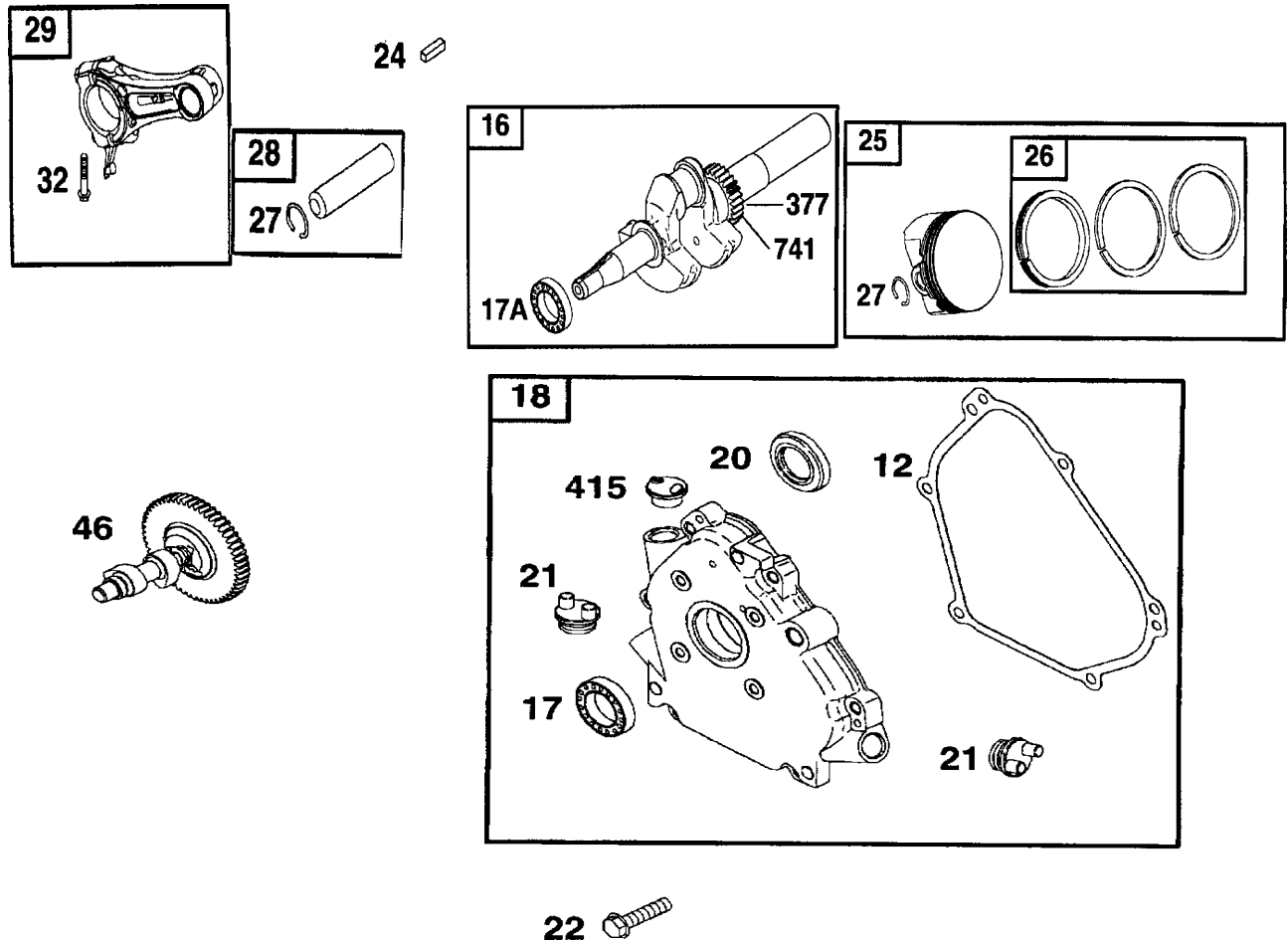
Ref No.	Part No.	Description	Racer Net
531	BS595	Gasket Throttle	\$ 1.92
		Cable Cap	
629	BS596	Spring-Throttle	1.98
		Return	
654	BS541	Nut	1.84
		(Carburetor)	
975	BS598	Bowl-Float	18.36
1218	BS601	Seal-O Ring	1.62
		(Carburetor)	
1233	BS602	Jet-Needle	12.81
1234	BS603	Cap-Throttle Cable	9.13
1238	BS628	Screw	1.82
		(Carburetor Spacer)	
		(Spacer to Cylinder)	
1240		Sold in kit only	
1244		Sold in kit only	
1250	BS593	Tube-Emulsion	9.03

PRICES SUBJECT TO CHANGE WITHOUT NOTICE

# BRIGGS & STRATTON ANIMAL ENGINE

To place an ORDER

**1-513-539-9900**



Ref No.	Part No.	Description	Racer Net	Ref No.	Part No.	Description	Racer Net
12	BS525	Gasket-Crankcase	\$ 4.84	26	BS664	Ring Set (Standard)	\$ 16.27
16	BS622	Crankshaft	61.23		BS515	Ring Set (.010" Oversize)	21.45
17	BS527	Bearing-Ball- PTO Bearing	13.11		BS516	Ring Set (.020" Oversize)	22.35
17A	BS573	Ball Bearing-Flywheel Bearing	16.42		BS517	Ring Set (.030" Oversize)	21.45
18	BS630	Cover-Crankcase	62.64	27	BS521	Lock-Piston Pin	1.62
20	BS529	Seal-oil (PTO side)	3.60	28	BS520	Pin-Piston	4.30
21	BS037	Cap-Oil Fill	1.94	29	BS626	Rod-Connecting	34.78
22	BS699478	Screw-Metric (Crankcase Cover)	2.26		BS654	Screw-Rod (Hex Head)	2.52
24	BS054	Key-Flywheel	1.72	46	BS532	Camshaft (Machined) Takeout	10.00
25	BS660	Piston Assembly (Standard)	56.26	377	BS049	Key-Woodruff	1.82
	BS661	Piston Assembly (.010" Oversize)	57.84	415	BS563	Plug	2.12
	BS662	Piston Assembly (.020" Oversize)	60.69	741	BS574	Gear-Timing	5.41
	BS513	Piston Assembly (.030" Oversize)	60.09				

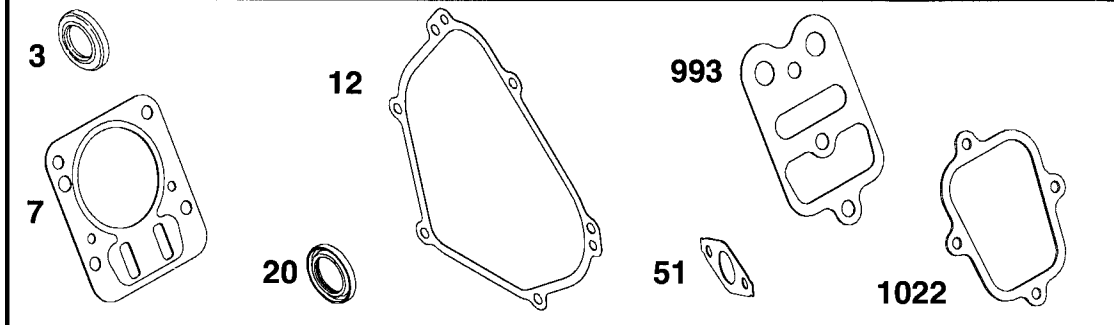
PRICES SUBJECT TO CHANGE WITHOUT NOTICE

# BRIGGS & STRATTON ANIMAL ENGINE

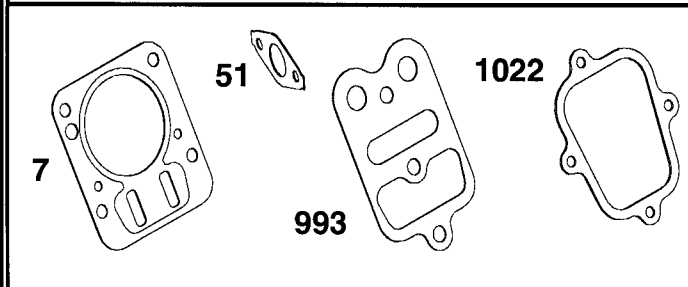
To place an ORDER

**1-513-539-9900**

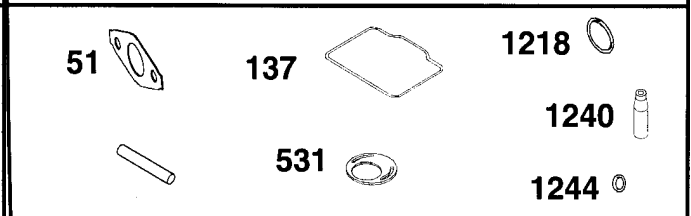
## 358 ENGINE GASKET SET



## 1095 VALVE GASKET SET



## 121 CARBURETOR OVERHAUL KIT



Ref No.	Part No.	Description	Racer Net
3	BS071	Seal-Oil (Magneto Side)	\$ 3.08
7	BS621	Gasket-Cylinder Head	4.54
12	BS525	Gasket-Crankcase	4.84
20	BS529	Seal-Oil (PTO Side)	3.60
51	BS609	Gasket Intake	2.76
121	BS605	Kit-Carburetor Overhaul	12.24
137	BS592	Gasket-Float Bowl	2.60

Ref No.	Part No.	Description	Racer Net
358	BS631	Gasket Set-Engine	\$ 12.76
531	BS595	Gasket-Throttle Cable Cap	1.92
993	BS554	Gasket-Cylinder Head Plate	2.66
1022	BS523	Gasket-Rocker Cover	3.54
1095	BS581	Gasket Set-Valve	9.03
1218	BS601	Seal-O Ring (Carburetor)	1.62
1240		Boot-Throtte Cable (Sold in Kit Only)	
1244		Seal-O Ring (Sold in Kit Only)	

## APPCO BLUEPRINTED ANIMAL

This Animal Engine is Blueprinted to WKA specifications. Carburetor is changed over to alcohol. Includes: After Market Cam-Fuel Pump-Throttle Bracket-Flywheel Cover-Starter Nut-Throttle Cable-Air Filter. The Motor has all the latest TRICKS to put you out front!!!! All you need to get it on your kart is Motor Mount, Chain Guard, Header and Clutch.

**ENGINE REBUILDING ALSO AVAILABLE!**

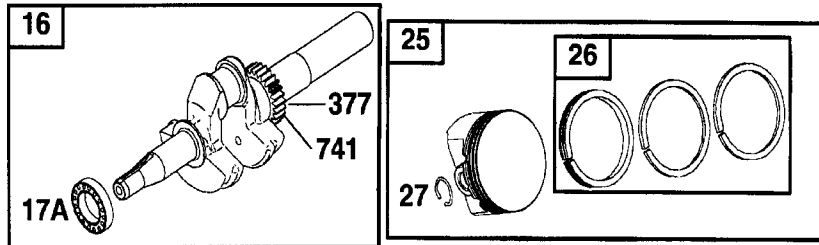
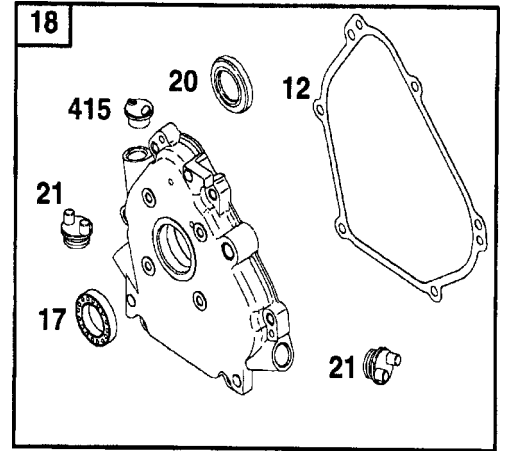
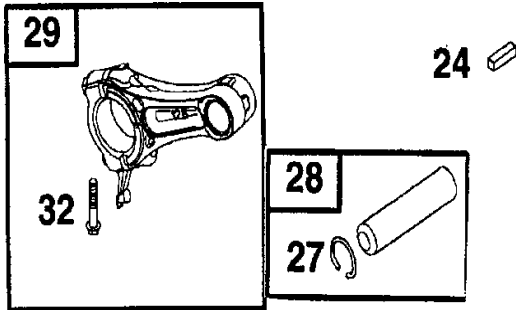
Part No.	Description	Racer Net
ANIMALBP	Appco Blueprinted Animal	\$ 1195.00

PRICES SUBJECT TO CHANGE WITHOUT NOTICE

# BRIGGS & STRATTON WORLD FORMULA ENGINE

To place an ORDER

**1-513-539-9900**



## PISTON AND ROD ASSEMBLY

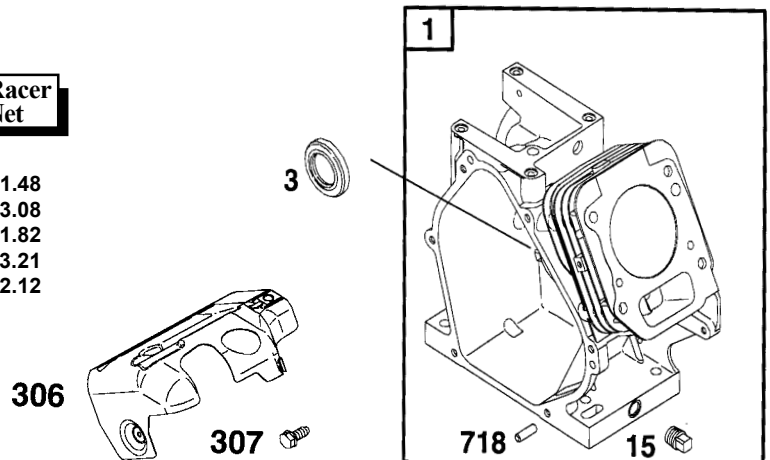
Ref No.	Part No.	Description	Racer Net
25	BS557121	Piston Assembly (Standard)	\$ 74.37
	BS557122	Piston Assembly (.010 Oversized)	64.00
	BS557123	Piston Assembly (.020 Oversized)	65.19
	BS557004	Piston Assembly (.030 Oversized)	66.36
26	BS664	Ring Set (Standard)	16.27
	BS665	Ring Set (.010 Oversized)	21.45
	BS666	Ring Set (.020 Oversized)	22.35
	BS667	Ring Set (.030 Oversized)	21.45
27	BS521	Lock-Piston Pin	1.62
28	BS520	Pin-Piston	4.30
29	BS557117	Rod-Connecting	69.95
32	BS557078	Screw (Connecting Rod)	1.84

## CRANKSHAFT AND CRANKCASE COVER

Ref No.	Part No.	Description	Racer Net
12	BS525	Gasket-Crankcase	\$ 4.84
16	BS622	Crankshaft	61.23
17	BS527	Bearing-Ball- PTO	13.11
17A	BS573	Bearing-Ball- Flywheel	16.42
18	BS559	Cover-Crankcase	62.64
20	BS529	Seal-Oil	3.60
21	BS037	Cap-Oil Fill	1.94
22	BS557035	Screw (Crankcase Cover/Sump)	1.68
24	BS054	Key-Flywheel	1.72
377	BS049	Key Woodruff	1.82
415	BS563	Plug	2.12
741	BS574	Gear-Timing	5.41

## CYLINDER ASSEMBLY

Ref No.	Part No.	Description	Racer Net
1	BS687	Cylinder Assembly	\$ 121.48
3	BS071	Seal-Oil	3.08
15	BS079	Plug-Oil Drain	1.82
306	BS557037	Shield	13.21
718	BS579	Pin-Locating	2.12

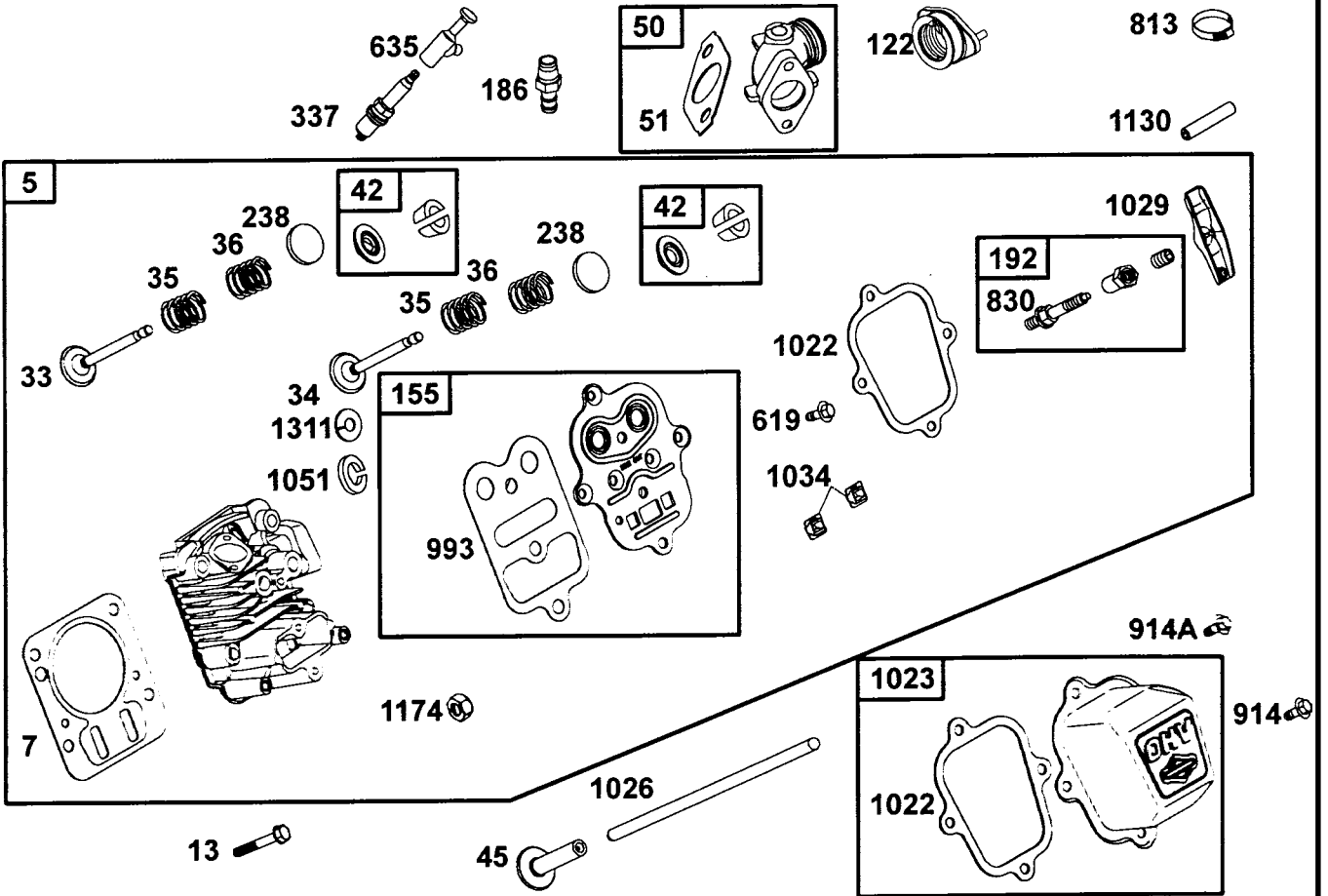


PRICES SUBJECT TO CHANGE WITHOUT NOTICE

# BRIGGS & STRATTON WORLD FORMULA ENGINE

To place an ORDER

**1-513-539-9900**



**CYLINDER HEAD ASSEMBLY**

Ref No.	Part No.	Description	Racer Net
5	BS557011	Head-Cylinder	\$208.24
7	BS621	Gasket-Cylinder Head	4.54
13	BS540	Screw (Cylinder Head)	2.18
33	BS557018	Valve-Exhaust	19.48
34	BS557017	Valve-Intake	9.34
35	BS557024	Spring-Valve (Intake)	15.51
36	BS557024	Spring-Valve (Exhaust)	15.51
42	BS557025	Keeper-Valve	11.22
45	BS557038	Tappet-Valve	13.36
50	BS557009	Manifold-Intake	61.45
51	BS557044	Gasket-Intake	3.18
122	BS557050	Spacer-Carburetor	11.40
155	BS547	Plate-Cylinder Head	6.43
186	BS557054	Connector-Hose	4.02
192	BS548	Adjuster-Rocker Arm	3.80
238	BS557016	Cap-Valve	4.30
337	BS557039	Plug-Spark Plug	4.68
635	BS162	Boot-Spark Plug	3.02
813	BS557051	Clamp (Intake Manifold)	3.62
830	BS549	Stud (RockerArm)	3.20
914	BS535	Screw (Rocker Cover)	1.68
914A	BS542	Screw (Rocker Cover)	1.68
993	BS554	Gasket-Cylinder Head Plate	2.66
1022	BS523	Gasket-Rocker Cover	3.54
1023	BS528	Cover-Rocker	10.62

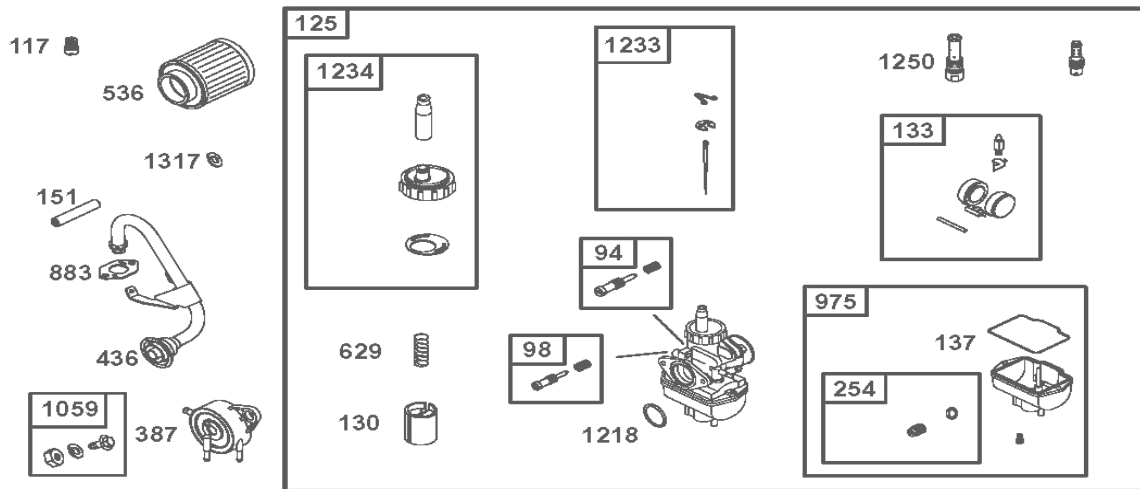
**CYLINDER HEAD ASSEMBLY (CONTINUED)**

Ref No.	Part No.	Description	Racer Net
1026	BS531	Rod-Push	\$ 3.24
1029	BS557015	Arm-Rocker	3.82
1034	BS555	Guide-Push Rod	4.09
1051	BS557026	Ring-Retaining	2.18
1130	BS557052	Stud (Intake Manifold)	4.22
1174	BS557013	Nut (Intake Manifold)	2.12
1311	BS557014	Washer (Intake Manifold)	2.12

# BRIGGS & STRATTON WORLD FORMULA ENGINE

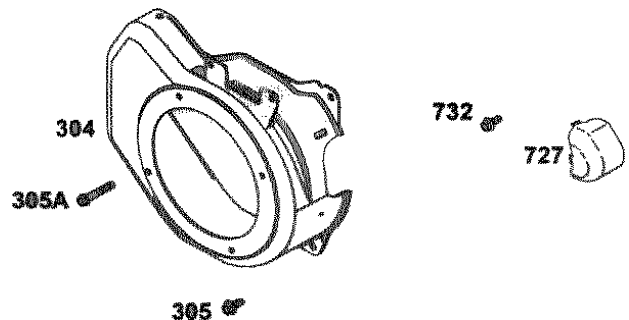
To place an ORDER

**1-513-539-9900**



## CARBURETOR ASSEMBLY

Ref No.	Part No.	Description	Racer Net
94	BS557085	Kit-Idle Mixture	\$ 3.99
98	BS557084	Kit-Idle Speed	4.08
117	BS557012	Jet-Main (Gasoline)	42.84
125	BS557006	Carburetor	138.72
130	BS557083	Valve-Throttle	8.92
133	BS557080	Float-Carburetor	13.72
137	BS557082	Gasket-Float Bowl	3.88
151	BS557053	Stud (Exhaust Manifold)	4.30
254	BS557079	Drain- Carburetor Bowl	4.02
387	BS557033	Pump-Fuel	19.47
436	BS557045	Manifold-Exhaust	86.50
536	BS557043	Cleaner-Air	23.98
629	BS557087	Spring-Throttle Return	2.46
883	BS557047	Gasket-Exhaust	1.62
975	BS557008	Bowl-Float	16.06
1059	BS557046	Kit-Screw/Washer	1.84
1218	BS557007	Seal-O-Ring (Carburetor)	2.18
1233	BS557081	Jet-Needle	7.56
1234	BS557088	Cap-Throttle Cable	8.37
1250	BS557086	Tube-Emulsion	8.26
1317	BS557014	Washer (Exhaust Manifold)	2.12

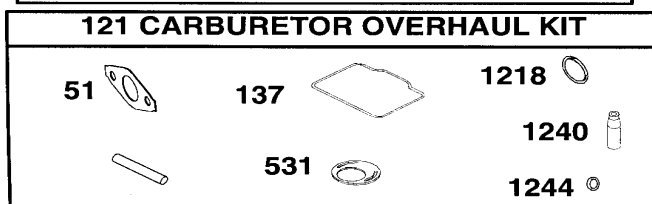
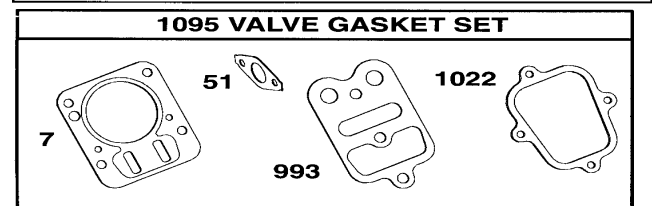
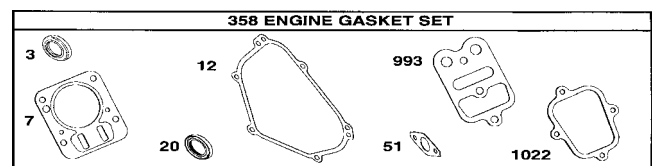


## BLOWER HOUSING

Ref No.	Part No.	Description	Racer Net
304	BS557034	Housing Blower	\$ 34.12
305	BS557036	Screw (Blower Housing)	2.86
305A	BS557042	Screw (Blower Housing)	2.86
727	BS557065	Cover-Starter Drive	1.84
732	BS557064	Screw (Starter Drive Cover)	2.18

## GASKET KITS

Ref No.	Part No.	Description	Racer Net
3	BS071	Seal-Oil (Magneto Side)	\$ 3.08
7	BS621	Gasket-Cylinder Head	4.54
12	BS525	Gasket- Crankcase	4.84
20	BS529	Seal-Oil (PTO Side)	3.60
51	BS557044	Gasket- Intake	3.18
121	BS557089	Kit- Carburetor Overhaul	11.32
137	BS557082	Gasket-Carb Bowl	3.88
358	BS557090	Complete Gasket Set	13.96
883	BS557047	Gasket-Exhaust	1.62
993	BS554	Gasket-Cylinder Plate Head	2.66
1022	BS523	Gasket-Rocket Cover	3.54
1095	BS557027	Gasket Set-Valve	9.94
1218	BS557007	Seal-O-Ring (Carburetor)	2.18



PRICES SUBJECT TO CHANGE WITHOUT NOTICE